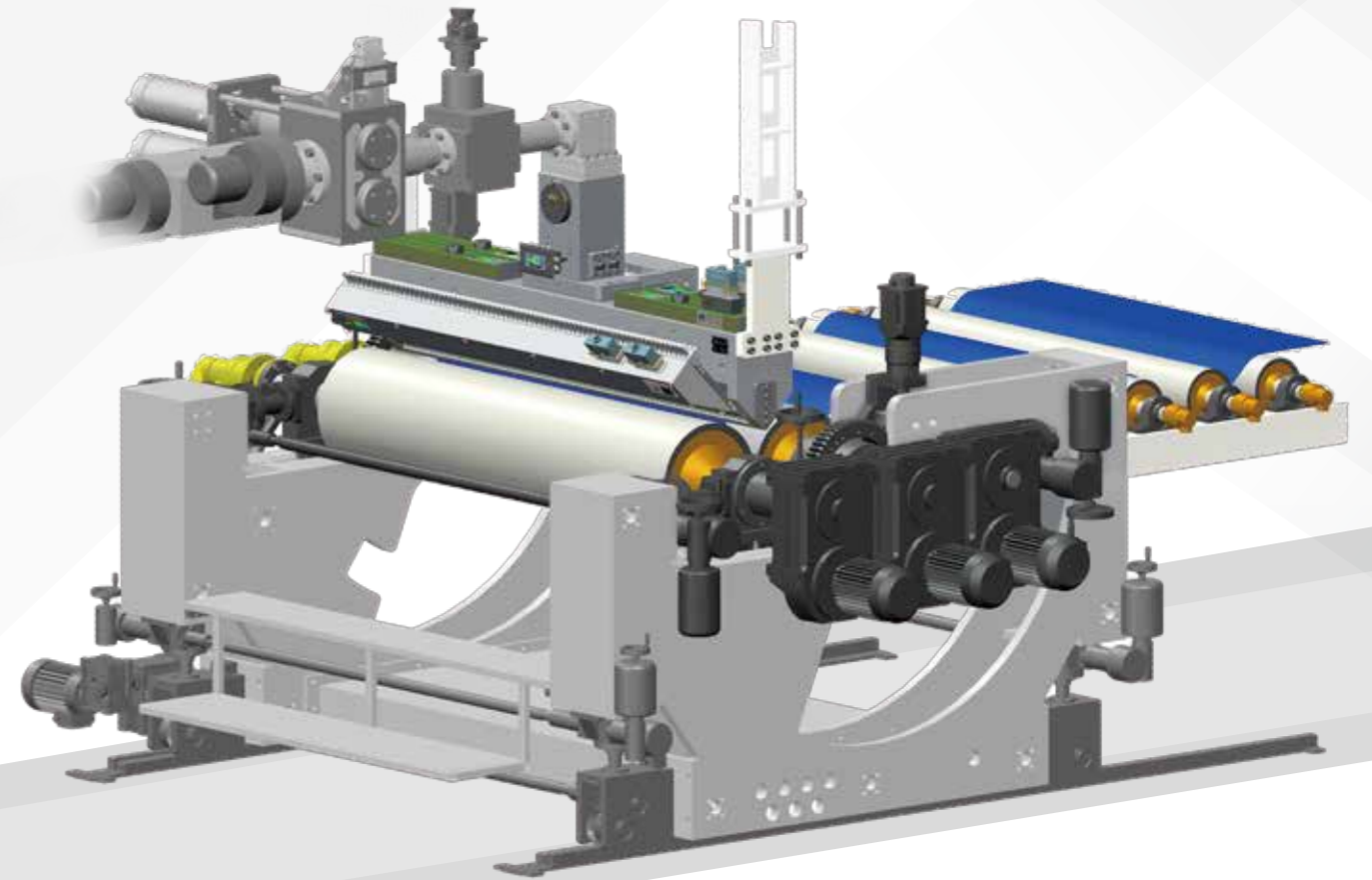




SHEET PLATE & FILM

www.chinajwell.com

品质卓越 完美如一



地址：江苏省苏州市太仓城厢工业园东安路18号
电话：0512-53377158 13962629288 13918873811 15806226128
Add: No.18, Dong'an Road, Chengxiang Industrial zone, Taicang, Suzhou city, China
Tel: +86-512-53377158 +86-15806221882 +86-13732611288
Http://www.jwell.cn www.chinajwell.com E-mail: saldi@jwell.cn

邮编(p.c): 215400
传真 (Fax): 0512-53377399
Post code: 215400
Fax: 86-512-53377399
E-mail: sales@jwell.cn

版本号Edition No.: 2019.05



苏州金纬片板膜智能装备有限公司
CHINA JWELL INTELLIGENT MACHINERY CO., LTD.

SHEET, PLATE&FILM EQUIPMENT

苏州金纬片板膜智能装备有限公司是上海金纬公司的又一重要发展战略中心，其坐落于苏州市太仓城厢工业园，是一家致力于塑料挤出成型设备的研发、制造的高科技厂家。厂区占地面积300余亩，公司拥有职工1000余人，其中技术管理人员280多名；公司拥有一支高素质的研发队伍和经验丰富的机械、电气调试工程师团队，以及先进的机械加工基地和规范的装配车间。每年生产1000多(台)套高档的塑料挤出生产线。公司本着“用心持久、拼搏创新”的企业精神，不断探求挤出新领域的开拓。热烈欢迎国内外新老客户莅临我司参观、指导、合作、我们愿为您提供强有力的支持。

China JWELL Intelligent Machinery Co., Ltd. is another development strategy center of Shanghai JWELL Machinery Co.,Ltd. Locating at Chengxiang Industrial town Taicang city, a high-tech manufacturer specializing in research and development of plastic extrusion equipment. The factory area is of 300 acres, more than 1000 staff and 280 technical and management employees; We have a high qualified R&D and experienced mechanical and electrical engineer team as well as advanced processing foundation and normative assembly shop. We supply more than 1000 high class (sets)lines annually. Our enterprise spirit is "Attentive, Enduring, Quick and Orderly", keeping on exploring of new extrusion field. Warmly welcome new and old customers to visit us for investigation, guidance and cooperation. We are happy to offer powerful support for you!



“品质卓越 完美如一”

是金纬公司的质量方针，是全体员工努力的方向。

“诚实待人”

是我们铸就“百年金纬”的核心理念。

公司产品已遍布全国各地，并出口到德国、俄罗斯、意大利、西班牙、日本、印度、韩国、印尼、中东、非洲和南美洲等100多个国家和地区，深受客户好评。

Our customers are all over China, and we have customers in Germany, Russia, Italy, Spain, Japan, India, Korea, Indonesia, Middle East, South America and other countries and areas. Our machines are well accepted by our customers.

董事长：何海潮

电话：+86-512-53377158

President: He Haichao

Email: he@jwell.cn



TPU透明薄膜、热熔胶膜生产线

TPU Transparent Film、Hot Melt Film Extrusion Line

TPU（热可塑性聚氨酯）片材拥有卓越的高张力、高拉力、强韧和耐老化的特性，并且具有环保无毒、防霉抗菌、耐磨抗腐、生物相容等优良特性。广泛应用于鞋材、成衣、充气玩具、水上及水下之运动器材、医疗器材、健身器材、汽车椅座材料、雨伞、皮箱、皮包等；并且可以应用于防弹玻璃、包装材料。

TPU(thermoplastic polyurethane) sheet has excellent feature of high tension, high tensile force, good toughness, ageing resistance, environmentally non-toxic, antimycotic&antibacterial, wear and corrosion resistance, biological compatibility. It is used widely in the field of shoe, clothes, air-filled toy, overwater&underwater sport equipment, medical equipment, fitness equipment, car seat material, umbrella, luggage bag, bulletproof glass, packaging material.

本生产线采用挤出法、辊筒成型生产片材，产品厚度0.02-2mm，宽度1000-3000mm，包括各种透明片、色片、多种材料复合片等。

The production line adopts extrusion and roller calibration with sheet thickness 0.02-2mm and width 1000-3000mm, which can produce transparent, colored and composite product.



主要技术参数 Main technical parameter

| 机型 Model | 制品宽度 Products width(mm) | 制品厚度 Products thickness(mm) | 设计挤出产量 Capacity(kg/h) |
|-------------|----------------------------|--------------------------------|--------------------------|
| JWS120/36 | 1000-3000 | 0.02-2.0 | 200-300 |
| JWS130/36 | 1000-3000 | 0.02-2.0 | 300-400 |

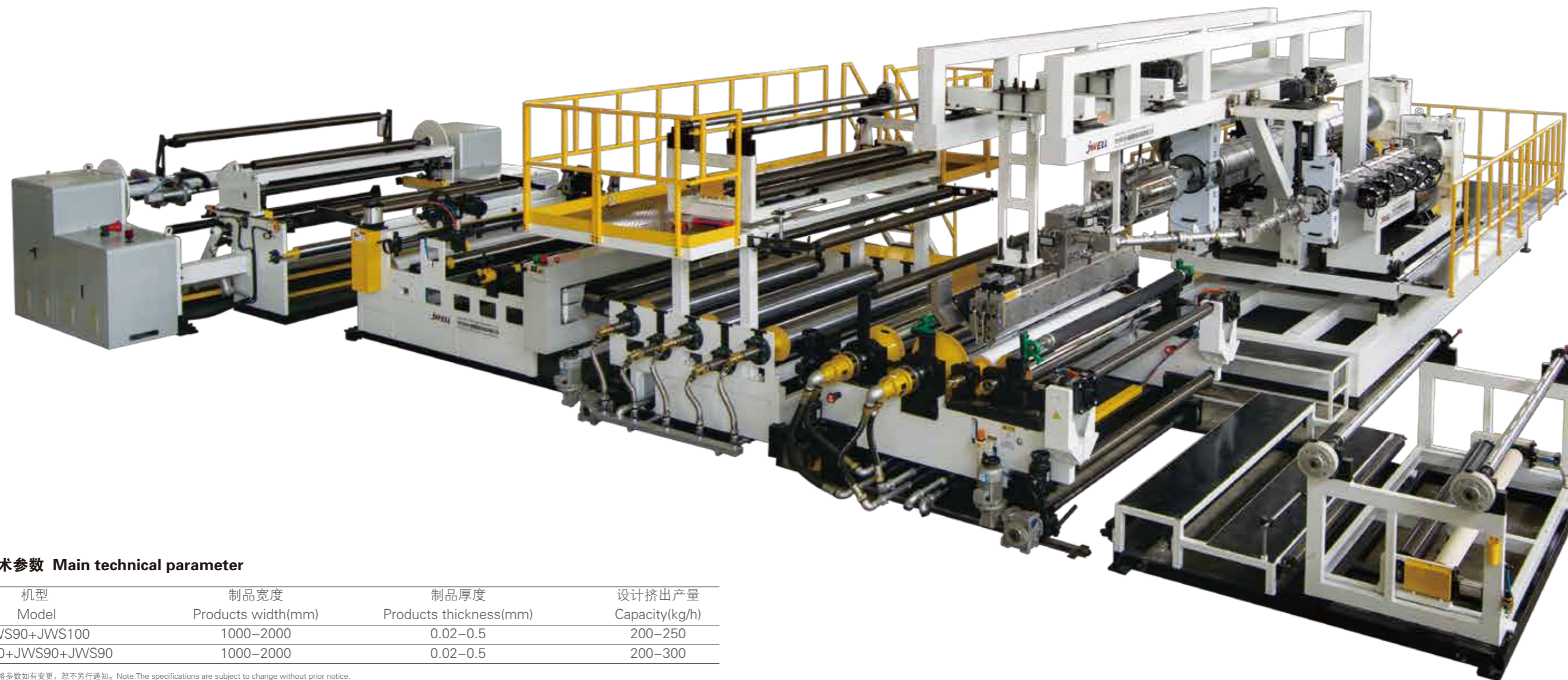
备注：以上规格参数如有变更，恕不另行通知。Note:The specifications are subject to change without prior notice.

TPU高低温薄膜、高弹膜生产线

TPU High-low Temperature、High-elastic Film Co-extrusion Line

生产线特点：通过2台或3台挤出机共挤的方式，将不同温度范围和硬度范围的TPU原料，一次性复合挤出成型。相比传统复合工艺，将高温、低温薄膜下线再复合，显得更经济、更环保、更高效。
 制品广泛应用于止水条、鞋材、服装、箱包、文具、体育用品等等。

Features: TPU raw materials with different temperature and hardness ranges are extruded by two or three extruders at one time. Compared with the traditional composite process, it is more economical, more environmentally friendly and more efficient to recombine high-temperature and low-temperature thin films offline.
 Products are widely used in water-proof strips, shoes, clothing, bags, stationery, sports goods and so on.



主要技术参数 Main technical parameter

| 机型 Model | 制品宽度 Products width(mm) | 制品厚度 Products thickness(mm) | 设计挤出产量 Capacity(kg/h) |
|-------------------|----------------------------|--------------------------------|--------------------------|
| JWS90+JWS100 | 1000-2000 | 0.02-0.5 | 200-250 |
| JWS90+JWS90+JWS90 | 1000-2000 | 0.02-0.5 | 200-300 |

备注：以上规格参数如有变更，恕不另行通知。Note:The specifications are subject to change without prior notice.

薄膜拉伸生产线 Stretch Film Extrusion Line

主要应用于生产PE锂电池隔膜；PP、PE卫材透气膜；PP、PE、PET、PS热收缩包装行业等单、双向拉伸薄膜领域。

设备的主要构成：挤出机、模具、铸片、纵向拉伸、横向拉伸、自动收卷和控制系统组成。依托我司先进的整体设计和加工制造能力，研制的拉伸生产线具有以下特点：

- 特殊设计的纵拉辊筒
- 动力传动及控制系统采用国际知名品牌
- 控制系统采用精密PLC程序控制
- 拉伸精度高、速度快、整个机组的运行稳定

我司可根据客户需求，定制设计各类高精度拉伸薄膜机组：

1-10倍拉伸倍率，产品宽度范围500-3000mm，厚度范围0.05-0.3mm。

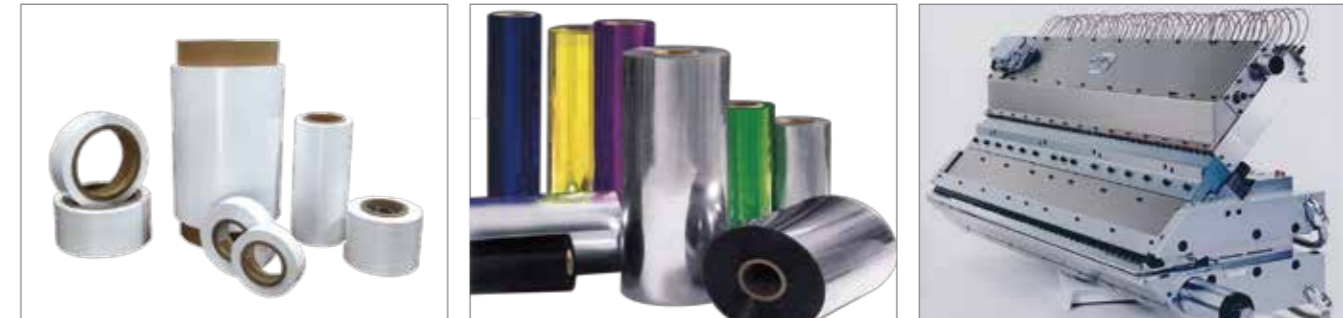
Stretch film production line is mainly used for PE lithium electric film; PP, PE breathable film; PP, PE, PET, PS thermo-shrinkage packing industrial.

The equipment is composed by extruder, die head, sheet cast, longitudinal stretch, transverse stretching, automatic winder and controlling system. Relying on our advanced designing and processing ability, our equipment's features are:

- Special designed longitudinal stretch roller
- Driving and controlling system are from world famous brand
- Controlling system is from precision PLC program
- High stretch accuracy, high speed, and steady working status

We are able to design equipment as per customer's request with high accuracy stretch equipment:

1-10 stretching ratio, width range will be 500-3000mm, thickness range will be 0.05-0.3mm.



EVA/POE/PVB/SGP胶膜生产线

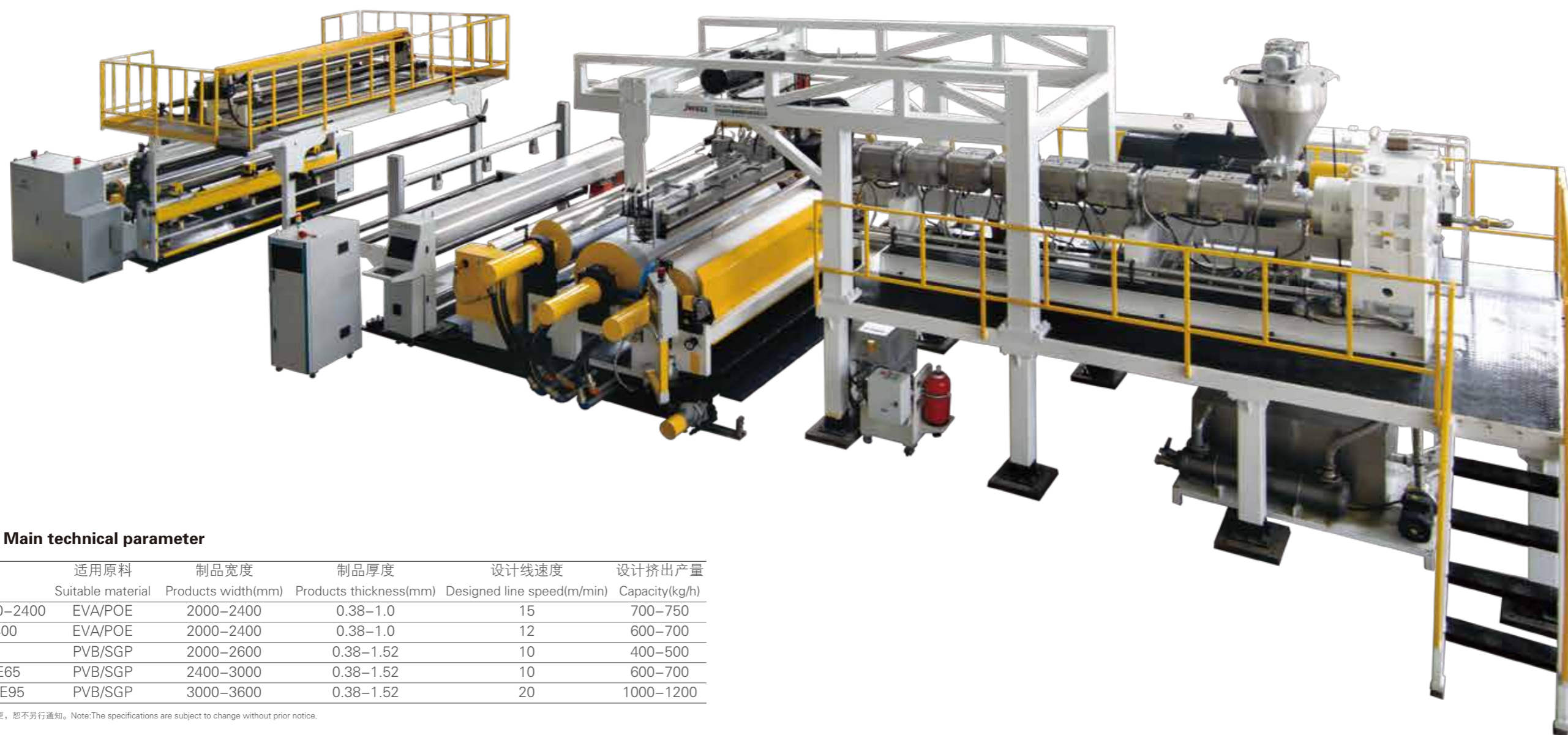
EVA/POE/PVB/SGP Film Extrusion Line

EVA/POE 胶膜: 用于太阳能光伏电站、建筑物玻璃幕墙、汽车玻璃、功能性棚膜、包装膜、热熔胶等各种行业。

EVA/POE film is used in solar photovoltaic power station, building glass curtain wall, automobile glass, functional shed film, pack-aging film, hot melt adhesive and other industries.

PVB/SGP胶膜: 广泛应用于建筑夹层玻璃，汽车夹层玻璃，防弹玻璃，隔音玻璃等。具有很好的安全性，防止玻璃由于外力作用下破碎而碎片溅起伤人；具有隔音性，防紫外线，可以做成彩色或高透明的薄膜。

PVB/SGP film: is widely used in building sandwich glass, car sandwich glass, bulletproof glass, soundproof glass etc. With good safety function and prevent glass from breaking due to the effect of external force and shards spatter injury; With sound insulation, anti - ultraviolet function, can be made of color or high transparent film.



主要技术参数 Main technical parameter

| 机型 Model | 适用原料 Suitable material | 制品宽度 Products width(mm) | 制品厚度 Products thickness(mm) | 设计线速度 Designed line speed(m/min) | 设计挤出产量 Capacity(kg/h) |
|---------------------|---------------------------|----------------------------|--------------------------------|-------------------------------------|--------------------------|
| JWS120/150/120-2400 | EVA/POE | 2000-2400 | 0.38-1.0 | 15 | 700-750 |
| JWS180-2400 | EVA/POE | 2000-2400 | 0.38-1.0 | 12 | 600-700 |
| JWS150 | PVB/SGP | 2000-2600 | 0.38-1.52 | 10 | 400-500 |
| JWE95-JWE65 | PVB/SGP | 2400-3000 | 0.38-1.52 | 10 | 600-700 |
| JWE135-JWE95 | PVB/SGP | 3000-3600 | 0.38-1.52 | 20 | 1000-1200 |

备注：以上规格参数如有变更，恕不另行通知。Note:The specifications are subject to change without prior notice.

PP蜂窝板生产线

PP Honeycomb Board Extrusion Line

产品主要用途/Main application:

- 1.应用于乘用车的行李箱盖板、行李箱隔板、行李箱地毯基板、侧围装饰板、顶棚等内饰部位；
Used for car trunk cover board, trunk clapboard, trunk carpet substrate, side wall decoration board, ceiling etc. interior place.
- 2.应用于制作各种高强度包装箱。
Used for manufacturing different kinds of high strength packing box.

PP蜂窝板通过挤出法一次成型的三层夹心板材，两面为较薄的面层，中间为蜂窝状结构；根据蜂窝的结构可以分为单层板、双层板。

PP蜂窝板也可一次成型双面贴布、覆皮，具有轻质高刚、无毒环保减震耐寒、隔音保温、防潮隔热等优点。

PP honeycomb board through extrusion method made three layers sandwich board of one time forming, two sides is thin surface, middle is honeycomb structure; According to honeycomb structure can divide into single layer, double layer board.

PP honeycomb board also can one time forming, coat fabric at two sides, leather, with light weight and high strength, non-toxic, environment, shake absorption and cold-resistant, soundproof& heat preservation, moistureproof& heat insulation etc. advantage.



主要技术参数 Main technical parameter

| 机型 Model | 适用原料 Suitable material | 制品宽度 Products width(mm) | 制品厚度 Products thickness(mm) | 设计挤出产量 Capacity(kg/h) |
|----------------|---------------------------|----------------------------|--------------------------------|--------------------------|
| JWS75/75/75 | PP | 1200-1600 | 2-12 | 350-450 |
| JWS100/100/100 | PP | 1200-2000 | 2-20 | 600-700 |

备注：以上规格参数如有变更，恕不另行通知。Note:The specifications are subject to change without prior notice.

PC中空格子板、U型锁扣板生产线

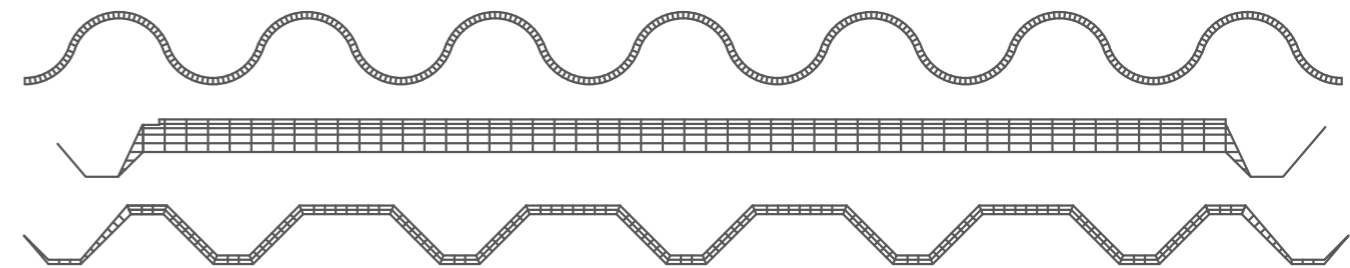
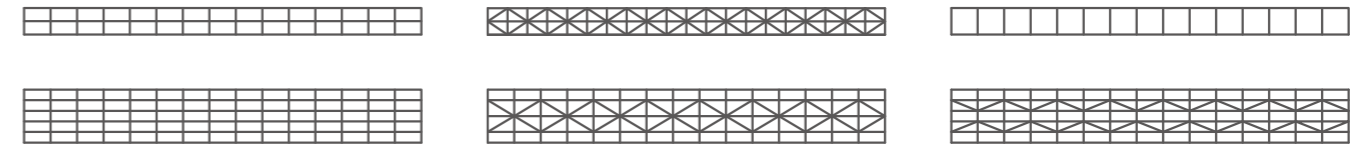
PC hollow sheet, U-shaped, U locked sheet extrusion line

PC中空格子板、U型锁扣板应用：

- 办公楼、大厅、商场、体育场馆、公用设施的采光顶
- 车站、停车场、凉亭、休息厅走廊的雨棚
- 高速公路及城市高架路隔音屏障

PC hollow sheet, U-shaped/U locked sheet extrusion line :

- Construction of sunroof in buildings ,halls, shopping center ,stadium ,public places of entertainment and public facility.
- Rain shield of bus stations ,garages, pergolas, corridors.
- Transparent shields for security forces in nursery schools airports, factories.



主要技术参数 Main technical parameter

| 挤出机规格 Model | 制品宽度 Products width(mm) | 制品厚度 Products thickness(mm) | 最大挤出产量 Designed capacity(kg/h) |
|----------------|----------------------------|--------------------------------|-----------------------------------|
| JWS100+JWS45 | 1220 | 4-40 | 350 |
| JWS120+JWS45 | 2100 | 4-40 | 450 |

备注：以上规格参数如有变更，恕不另行通知。Note:The specifications are subject to change without prior notice.

PP/PE中空格子板生产线

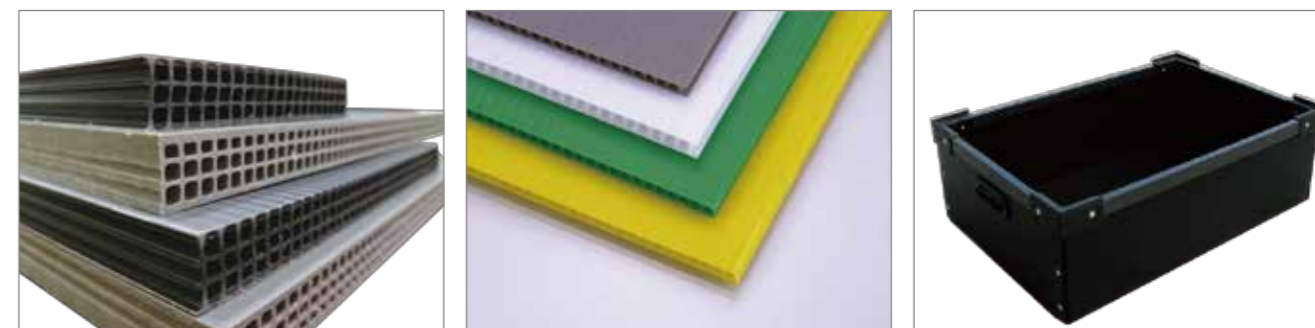
PP/PE Plastic Hollow Cross Section Plate Extrusion Line

PP格子板应用:

- PP中空格子板因具有材质轻，强度高，防潮。
- 良好的环保性能和二次加工性能，可加工成周转箱，包装箱等。

PP Hollow Plate Application:

- The pp hollow cross section plate is light and high strength, moistureproof good environmental protection and refabrication performance.
- Can be processed into the reusable container, packing case, clapboard, backing plate, and culet.



主要技术参数 Main technical parameter

| 挤出机规格 Model | 制品宽度 Products width(mm) | 制品厚度 Products thickness(mm) | 最大挤出产量 Designed capacity(kg/h) |
|----------------|----------------------------|--------------------------------|-----------------------------------|
| JWS120 | 1200-2100 | 2-8 | 350 |
| JWS150 | 1200-2600 | 2-8 | 500 |
| JWS100+JWS65 | 915 | 12-16 | 400 |
| JWS150+JWS90 | 2000 | 12-16 | 600 |

备注：以上规格参数如有变更，恕不另行通知。Note:The specifications are subject to change without prior notice.

LFT/CFP/FRP/CFRT连续纤维增强复合材料生产线

LFT/CFP/FRP/CFRT continuous fiber reinforced composite production line

连续纤维增强复合材料是由增强纤维材料：玻璃纤维(GF)、碳纤维(CF)、芳纶纤维(AF)、超高分子量聚乙烯纤维(UHMW-PE)、玄武岩纤维(BF)等，通过特有工艺技术使得高强度的连续纤维与热塑性、热固性树脂相互间浸渍，再经过挤压、牵伸等工艺形成的高强度、高韧性、可回收的新型热塑性复合材料；常用的树脂基体有PET、ABS、PP、PC、PA、PPS、POM等环保型热塑性材料。

Continuous fiber reinforced composite material is made of reinforced fiber material: glass fiber(GF), carbon fiber(CF), aramid fiber(AF), ultra high molecular polyethylene fiber(UHMW-PE), basalt fiber(BF) by using special process technology to makes high strength continuous fiber and thermal plastic&thermosetting resin soak with each other. Then extrusion and drawing process are used to form the high strength, high toughness and recyclable thermalplastic resin composite material .commonly used plastic are PET, ABS, PP, PC, PA, PPS, POM and other environmentally friendly thermoplastic materials.

产品应用：军工、航天、船舶、汽车轻量化、电子、风电、建筑、医疗、体育休闲等领域。

Product application: Military, spaceflight, ships, automotive light weight, electronics, wind and electricity, construction, medical, sports and leisure and other fields.



主要技术参数 Main technical parameter

| 机型 Model | 制品宽度 Products width(mm) | 制品厚度 Products thickness(mm) | 最大速度 Max.speed(m/min) |
|-------------|----------------------------|--------------------------------|--------------------------|
| JWS-1800 | 1200-1600 | 0.1-0.8 | 12 |
| JWS-3000 | 2000-2500 | 0.1-0.8 | 12 |

备注：以上规格参数如有变更，恕不另行通知。Note:The specifications are subject to change without prior notice.

高速铝塑复合板生产线

High Speed Aluminum Plastic Composite Panel Extrusion Line

铝塑复合板简称铝塑板是由经过表面处理并涂装（用氟碳涂层或聚酯涂层）的铝箔作为表层、聚乙烯材料作为芯层，并通过热复合工艺生产而成的新型装饰材料；主要应用于建筑幕墙、外墙装饰与广告、室内装饰等。

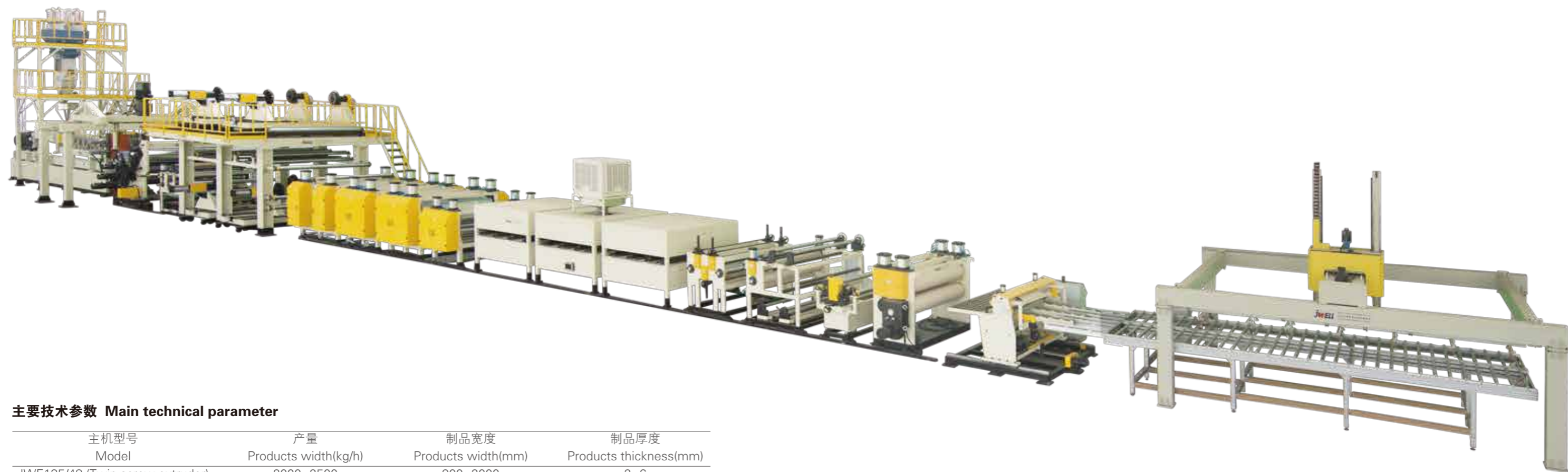
结合传统的生产工艺和实践经验，开发的高速铝塑板生产线，采用先进的挤出系统，可以生产高填充的阻燃级铝塑板，最高产量2500kg/h，最高生产线速度10m/min，可生产宽度900–2000mm，铝箔厚度0.18mm以上的产品。

同时本公司也提供传统的铝塑板生产线，最高产量500–800kg/h，最高线速度5m/min，可以生产宽度900–1560mm，铝箔厚度0.06–0.5mm的制品。

Aluminum plastic composite panel called ACP in short, composed by aluminum foil and polyethylene, adopting thermo coating technology to produce this new construction material. It is widely used for construction wall, outer door decoration as well as advertising and inner door decoration.

Combining traditional processing technology and practical experience, Suzhou JWELL machinery Co.,ltd develops high speed flame retardant grade ACP board. the maximum output can be 2500kg/h, line speed is 10m/min, width is 900–2000mm, aluminum foil thickness is more than 0.18mm.

Also, we are supplying normal ACP line with output range 500–800kg/h, maxim line speed 5m/min, suitable product width 900–1560mm, aluminum foil thickness 0.06–0.5mm.



主要技术参数 Main technical parameter

| 主机型号 Model | 产量 Products width(kg/h) | 制品宽度 Products width(mm) | 制品厚度 Products thickness(mm) |
|-----------------------------------|----------------------------|----------------------------|--------------------------------|
| JWE135/48 (Twin screw extruder) | 2000–2500 | 900–2000 | 2–6 |
| JWS170/35 (Single screw extruder) | 500–600 | 900–1220 | 1–6 |
| JWS180/35 (Single screw extruder) | 700–800 | 900–1560 | 1–6 |

备注：以上规格参数如有变更，恕不另行通知。Note:The specifications are subject to change without prior notice.

PET/PLA环保片材生产线

PET/PLA Environmental Sheet Extrusion Line

PET/PLA环保片材生产线: 金纬推出的双螺杆免干燥排气型PET/PLA片材生产线具有低能耗、工艺简单，设备使用维护方便的特点。其特有的螺杆组合结构有效的减少了PET/PLA树脂的粘度降，对称式薄壁型辊筒提高了冷却效率同时提升了产能和片材品质，多组分喂料装置可合理的控制新料、回料、色母等的比例，所生产的片材可用于吸塑印刷包装等领域。

PET/PLA environmental sheet extrusion line: JWELL develops the parallel twin screw extrusion line for PET/PLA sheet, this line equipped with degassing system, and no need drying and crystallizing unit. The extrusion line has the properties of low energy consumption, simple production process and easy maintenance. The segmented screw structure can reduce the viscosity loss of PET/PLA resin, the symmetrical and thin-wall calender roller heighten the cooling effect and improve the capacity and sheet quality. Multi components dosing feeder can control the percentage of virgin material, recycling material and master batch precisely, the sheet is widely used for thermoforming packaging industry.



主要技术参数 Main technical parameter

| 机型 Model | 挤出机规格 Extruder model | 制品厚度 Products thickness(mm) | 主电机功率 Main motor power(kw) | 最大挤出产量 Max extrusion Capacity(kg/h) |
|---------------------|-------------------------|--------------------------------|-------------------------------|--|
| 共挤线 Multi layer | JWE75/40+JWE52/40-1000 | 0.15-1.5 | 132/15 | 500-600 |
| 单层线 Single layer | JWE75/40-1000 | 0.15-1.5 | 160 | 450-550 |
| 高效 Highly-efficient | JWE95/44+JWE65/44-1500 | 0.15-1.5 | 250/75 | 1000-1200 |

备注：以上规格参数如有变更，恕不另行通知。Note:The specifications are subject to change without prior notice.



PP/PS环保片材生产线

PP/PS Environmental Sheet Extrusion Line

研制开发的PP/PS片材生产线，用于生产多层复合环保片材，该片材主要用于吸塑成型各类食品容器和包装，如：托盘、面碗、饭盒、糕盒、水果盘等。该设备可有效的利用石粉比例，既降低片材原料成本，又提高片材的可降解性并保证片材的综合物理性能和后续可加工性能。

Developed by Jwell company, this line is for producing multi-layer environmental-friendly sheet, which is widely used for vacuum forming, green food container and package, different kinds of food packaging container, such as: salver, bowl, canteen, fruit dish, etc. Adopting maxim talc percentage in the sheet production, either customer will be able to reduce the cost of the sheet or increase the sheet degration character as well as gaining good physical properties and further processing abilities.

主要技术参数 Main technical parameters

| 机型 Model | JWS150/120/90-1800 | JWS150/60-1200 | JWS130/60-1000 | JWS120-1000 | JWS100-800 |
|----------------|--------------------|----------------|----------------|-------------|-------------|
| 片材宽度 Width | 1500mm | 1000mm | 900mm | 800mm | 600mm |
| 片材厚度 Thickness | 0.3-2mm | 0.3-2mm | 0.3-2mm | 0.2-2mm | 0.1-0.8mm |
| 生产能力 Capacity | 1000-1200kg/h | 700-800kg/h | 550-600kg/h | 400-500kg/h | 300-350kg/h |

备注：以上规格参数如有变更，恕不另行通知。Note: The specifications are subject to change without prior notice.



PC/PMMA光学片材生产线

PC/PMMA Optical Sheet Extrusion Line

PC/PMMA光学片材生产线为了满足市场的需要，苏州金纬凭借先进的工艺技术及装备向用户提供了光学级片材生产线。根据原料的流变性设计的专用螺杆和精密的计量泵系统和模具保证了熔体的均匀稳定和片材优异的光学性能；精密的压光系统给片材的机械物理性能提供了保障。产品主要应用于汽车工业；电子、电器工业的薄膜开关；电脑、手机、商务通的液晶显示屏；太阳镜、太阳帽、镀膜、防护面罩；特种印刷；医药包装等领域。

PC/PMMA Optical Sheet Extrusion Line To meet the demands of market, Suzhou JWELL supply customer PC PMMA optical sheet extrusion lines with advanced technology, the screws are specially designed according to the rheological property of raw material, precise melt pump system and T-die, which makes the extrusion melt is even and stable and the sheet has excellent optical performance. Precise calender system guarantees the mechanical & physical properties of sheets. It is mainly used in automotive industry, film switch of electronics, LCD for computer, mobile, sunglass, helmet, special printing, medicine packing and so on areas.



主要技术参数 Main technical parameter

| 机型 Model | 挤出机规格 Extruder model | 制品宽度 Products width(mm) | 制品厚度 Products thickness(mm) | 设计挤出产量 Capacity(kg/h) |
|-------------|-------------------------|----------------------------|--------------------------------|--------------------------|
| JWS100-1300 | JWS100/38 | 1000 | 0.125-1.2 | 250 |
| JWS120-1500 | JWS120/38 | 1200 | 0.175-2 | 450 |

备注：以上规格参数如有变更，恕不另行通知。Note: The specifications are subject to change without prior notice.

PC/PMMA/GPPS/ABS塑料片板材生产线

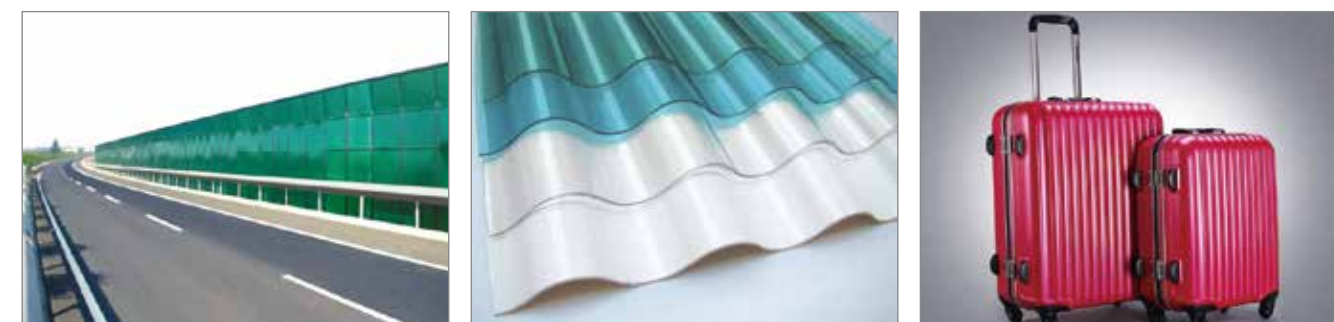
PC/PMMA/GPPS/ABS Plastic Sheet & Plate Extrusion Line

PC耐力板、波浪板:

适用范围：园林、游艺场所奇异装饰及休息场所的廊亭；商业建筑的内外装饰品，现代城市楼房的幕墙；航空透明集装箱、摩托车前风挡、飞机、火车、轮船、汽车、汽船、潜艇及玻璃军警盾牌；电话亭、广告路牌、灯箱广告展示展览的布置；高速公路及城市高架路隔音屏障。

Applicable scope of PC endurance board, PC corrugated sheet:

Garden, recreation place, decoration and the corridor pavilion; Internal and external ornaments in the commercial building, curtain wall of the modern urban building; transparent container of aviation, the windscreen before the motorcycle, the plane, the train, the steamer, the submarine, army and police's shield, the telephone booth, advertising signpost, the advertisement of the lamp houses, the expressway and overhead way of the city partition protective screen.



ABS、HIPS/GPPS冰箱板 Refrigerator board

主要用于冰箱冰柜门胆、内胆、抽屉、接水盘、饮水机等。

It has wide application in production of refrigerator door and inner gallbladder, drawers, water dispensers, etc.

ABS/PMMA复合洁具板 Sanitaryware plate

用于卫浴产品如：浴缸、淋浴房、蒸汽房、洗脸槽。

It is widely applied in the field of bath products, such as the bathtub, the shower cabinet, the vapor room, washing bowl, etc.

ABS/PC复合箱包板 Baggage plate

主要用于各种拉杆箱、行李箱、休闲包等箱包。

It is mainly applied in field of draw-bar boxes, luggage cases, recreation bags, etc.

ABS、ABS + PC合金料汽车板 Car plate

主要用途：汽车车顶、仪表板；座椅靠板、车门板、窗框；摩托车、沙滩车、代步车、高尔夫球车等外壳。

It is mainly used in to produce tops of cars and buses, instrument boards, backrest, car doors, window frames, shells of the motorcycles, golf vehicles, etc.

主要技术参数 Main technical parameter

| 型号 Model | JWS130/38-2200 | JWS120/38-1400 |
|------------------------------|------------------|------------------|
| 适用原料 Material | PC、PMMA、GPPS、ABS | PC、PMMA、GPPS、ABS |
| 制品宽度 Products Width | 2200mm | 1400mm |
| 制品厚度 Products Thickness | 1.5-10mm | 1.5-10mm |
| 挤出机规格 Extruder Specification | Ø130/38; Ø45/30 | Ø120/38 |
| 最大挤出产量 Capacity (Max.) | 550Kg/h | 450Kg/h |

备注：以上规格参数如有变更，恕不另行通知。Note: The specifications are subject to change without prior notice.

PP/PE/ABS/PVC厚板生产线

PP/PE/ABS/PVC Thick Plate Extrusion Line

PP厚板生产线 PP thick plate extrusion line

PP厚板，可广泛用于化学工业、食品行业、防腐行业、净化行业、环保设备生产行业。
2000mm宽PP厚板生产线是金纬新开发的领先于同行的稳定的生产线。

PP thick plate, is an environmentally-friendly product and is widely applied in chemistry industry, food industry, anti-erosion industry, environmentally-friendly equipments industry, etc.

PP thick plate extrusion line of 2000mm width is a newly developed line which is the most advanced and stable line compared with other competitors.

PE厚板生产线 PE thick plate extrusion line

聚乙烯（PE）板材广泛应用于化工、电力等工业上。HDPE板还可作为工程塑料应用在机械、化工等设备上，广泛用于制造冰球场墙板。

PE plate is widely applied in chemical and electric power industries. HDPE plate, known as engineering plastics, is used in mechanical and chemical equipments as well as ice hockey ring walls.

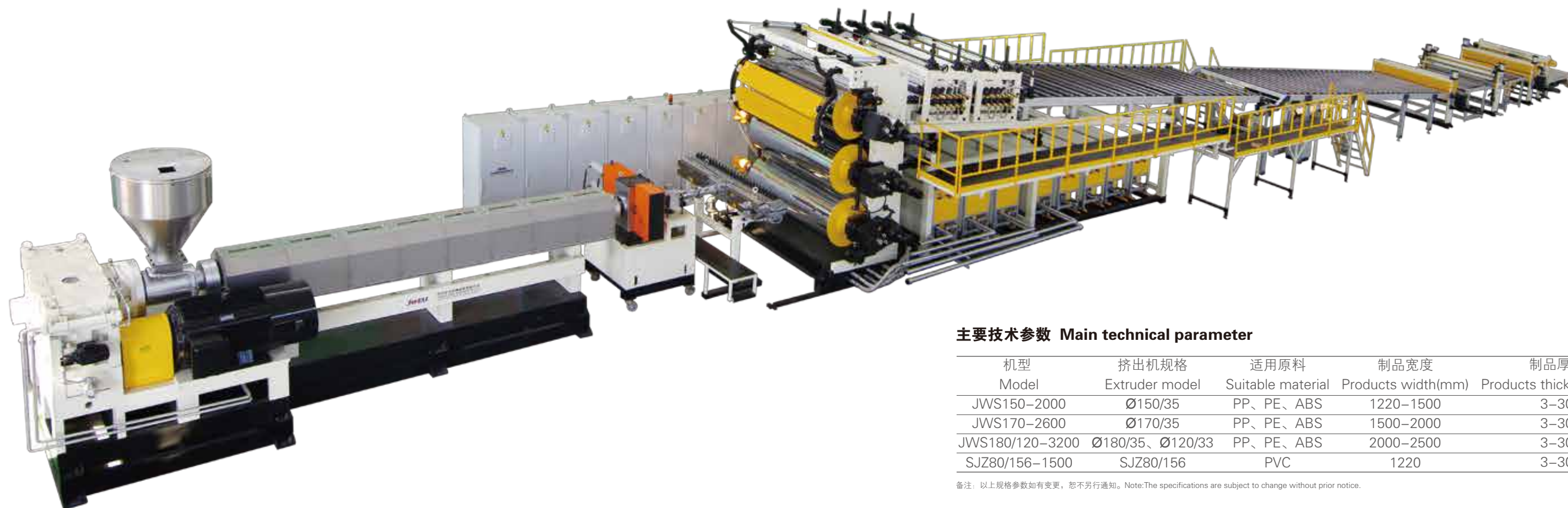
ABS厚板生产线 ABS thick plate extrusion line

ABS厚板广泛应用于家电、电子、包装、医疗器械等领域。
ABS thick plate is widely used in the home appliance, electronics, packaging, medical appliance.

PVC厚板生产线 PVC thick plate extrusion line

硬质PVC厚板广泛用于化工、石油、电镀、水净化处理设备、环保设备、矿山、医药电子、通讯、防腐蚀容器、设备电气的护罩，灯箱，广告装潢等行业。

Rigid PVC thick plate is widely used in chemical industry, petrol, electroplating, water purifying equipments, environment-friendly equipments, lamp house and advertisements, etc.



主要技术参数 Main technical parameter

| 机型 Model | 挤出机规格 Extruder model | 适用原料 Suitable material | 制品宽度 Products width(mm) | 制品厚度 Products thickness(mm) | 设计挤出产量 Capacity(kg/h) |
|-----------------|-------------------------|---------------------------|----------------------------|--------------------------------|--------------------------|
| JWS150-2000 | Ø150/35 | PP、PE、ABS | 1220-1500 | 3-30 | 500 |
| JWS170-2600 | Ø170/35 | PP、PE、ABS | 1500-2000 | 3-30 | 700 |
| JWS180/120-3200 | Ø180/35、Ø120/33 | PP、PE、ABS | 2000-2500 | 3-30 | 1200 |
| SJZ80/156-1500 | SJZ80/156 | PVC | 1220 | 3-30 | 450 |

备注：以上规格参数如有变更，恕不另行通知。Note:The specifications are subject to change without prior notice.

PE石头纸生产线

PE Stone Paper Sheet Line

石头纸生产设备采用复合流/压延法生产工艺:

配料、共混、挤出生产出专用母料，再经过挤出、压延、拉伸、冷却、表面处理、涂布、分切收卷即为原纸。生产效率高、产品质量好、生产成本较低、纸张表面光滑，特别适用于印刷高档画册及书籍封面等。

Stone paper production equipments adopt casting&calendering process technology:

compounding, mixing, extrusion to produce the special master batch, then through extruder, calendaring, stretching, cooling, surface treatment, coating, cutting and winding to produce origin paper. Its features for high efficiency, good quality, low cost production, smooth surface paper, especially used to print high grade album and book cover etc.

石头纸产品特性:

石头纸生产工艺简单，高产出、能耗低；不采用植物纤维、不砍伐树木，可节省大量木材，保护自然生态；不需要添加强酸、强碱、漂白剂等化学原料，不排放废水、废渣和有毒有害气体，属于绿色环保产品。产品具有机械性能好、防水、防潮、防蛀、耐折、耐撕、耐油、无毒、无味、无污染、几何尺寸稳定、印刷清晰度高、效果好，用弃后可自然降解为粉末回归自然等特点，广泛应用于礼品包装、医药包装、办公用品、装饰画册等印刷制品领域。

Stone paper features:

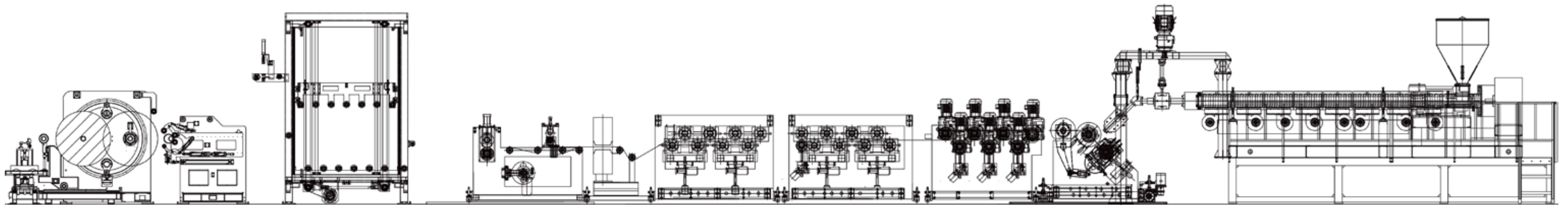
Stone paper production process is easy, high output, lower power consumption; not use plant fiber, not cut trees, save lots of wood, protect natural environment; Don't need to add strong acid, strong alkali, bleaching agent etc. Chemical material, don't drainage waste water, waste residue and toxic and harmful air, that's green environmental product. Product with good mechanical performance, waterproof, moistureproof, moth-proofing, folding, tear resistant, oil resistant, non-toxic, tasteless, no pollution, stable geometry size, high printing resolution, good effect, can be natural degradation after with abandon for powder characteristics of return to nature, is widely used in gift packaging, pharmaceutical packaging, office supplies, decorative materials, and other areas of the printing products.



主要技术参数 Main technical parameter

| 机型 Model | 制品宽度 Products width(mm) | 制品厚度 Products thickness(mm) | 最大挤出产量 Max.extrusion capacity(kg/h) | 拉伸倍率 Stretch ratio |
|-------------------|----------------------------|--------------------------------|--|-----------------------|
| JWS150+JWS90 | 1700 | 0.05-0.5 | 700-800 | 0-10 |
| JWE75/44+JWE52/44 | 1700 | 0.05-0.5 | 400-500 | 0-10 |

备注：以上规格参数如有变更，恕不另行通知。Note:The specifications are subject to change without prior notice.



PVC透明硬片/PVC装饰片生产线

PVC Transparent Sheet and Rigid Sheet Extrusion Line

PVC挤出透明硬片生产线

PVC挤出透明片材具有阻燃自熄、质优价廉、透明度高、表面光泽好、晶点少、水纹小、耐冲击性强且易于成型等特点，广泛应用于各类工具、玩具、电子、食品、医药、服装等行业的吸塑、折盒、包装等。

PVC transparent rigid sheet extrusion line

PVC transparent sheet have many advantages of fire-resistance, high quality, low cost, high transparent, good surface, no spot, less water wave, high strike resistance, easy to mould and etc. It is applied to different kinds of packing, vacuuming and case, such as tools, toys, electrics, food, medicine and clothes.

PVC装饰片生产线

PVC装饰片主要用于酒店、餐馆、办公室、厨房灯地方的内外墙装饰。

PVC decoration plate line:

Product application: For decoration in hotel, restaurant, office, inner wall of villa, kitchen, toilet and it can be used or outside wall decoration, ceiling, table cloth, flooring and etc.



主要技术参数 Main technical parameter

| 机型 Model | 挤出机规格 Extruder model | 制品宽度 Products width(mm) | 制品厚度 Products thickness(mm) | 主电机功率 Main motor power(kw) | 设计挤出产量 Designed extrusion output(kg/h) |
|----------------|-------------------------|----------------------------|--------------------------------|-------------------------------|---|
| SJZ80/156-1500 | SJZ80/156 | 1220 | 0.2-3.0 | 75 | 350 |
| SJZ92/188-2200 | SJZ92/188 | 2000 | 1.0-3.0 | 110 | 550 |

备注：以上规格参数如有变更，恕不另行通知。Note: The specifications are subject to change without prior notice.



PVC半结皮(木塑)发泡板、共挤发泡板生产线

PVC Semi-Skinning(WPC) Foam Board, Co-Extrusion Foam Board

PVC发泡板又称为雪弗板和安迪板，其化学成分是聚氯乙烯，所以也称为泡沫聚氯乙烯板。

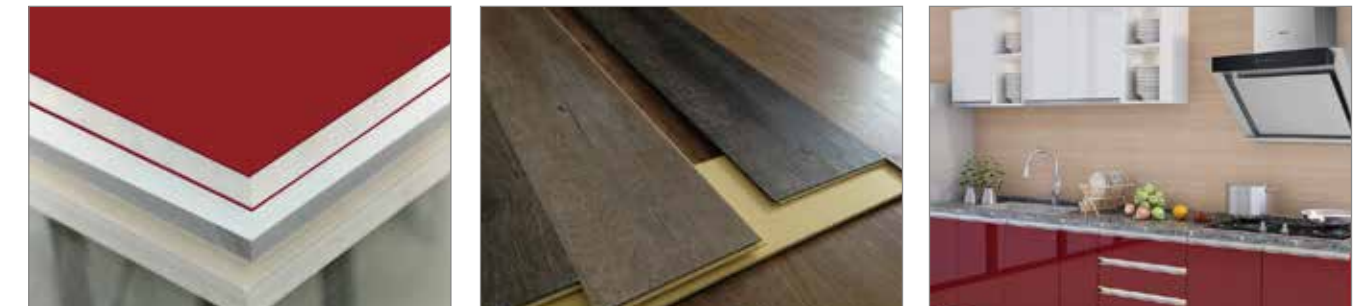
PVC半结皮发泡生产工艺是结合自由发泡工艺和结皮发泡工艺研发的新型工艺，具有设备简洁、配方简便、工艺操作难度小等特点。

PVC foam board also named Snow board and Andy board, the chemical component is polyvinyl chloride, also can be named foam polyvinyl chloride board.

PVC Semi-Skinning foam manufacturing technique is combine free foam technique and semi-skinning foam to develop new technology, this equipment have advanced structure, simple formulation, easy operation etc. features.

PVC半结皮发泡板的特点/ The feature of PVC Semi-Skinning foam board

- 1.防水、阻燃、耐酸碱、防蛀、质轻、保温、隔音、减震的特性
1. Waterproof, anti-flame, anti-acid & alkali, anti-moth, light weight, heat preservation, sound insulation, shock absorption.
- 2.和木材同等加工，且加工性能远远优于木材
2. The process same with wood, but manufacturing performance is much better than wood.



主要技术参数 Main technical parameter

| 机型 Model | 挤出机规格 Extruder model | 制品宽度 Products width(mm) | 制品厚度 Products thickness(mm) | 主电机功率 Main motor power(kw) | 最大挤出产量 Max. Capacity(kg/h) |
|-------------|-------------------------|----------------------------|--------------------------------|-------------------------------|-------------------------------|
| 半结皮发泡 | SJZ80/156 | 1220 | 5-20 | 75 | 400 |
| | SJZ92/188 | 1560 | 8-18 | 132 | 550 |
| | SJZ92/188 | 2050 | 8-15 | 132 | 550 |
| 共挤发泡 | SJZ80/156+SJZ65/132 | 1220 | 5-20 | 75+37 | 500 |

备注：以上规格参数如有变更，恕不另行通知。Note: The specifications are subject to change without prior notice.



挤出机械物联网+智能制造解决方案

工业4.0时代的互联-CPS（信息物理系统cyber physical systems），不是简单的对互联网、物联网、传感网的替代，它是信息世界和物理世界的深度融合。

未来挤出装备不再是一个孤立的自动化、信息化孤岛，未来的挤出机工厂会通过云平台与整个供需体系形成灵活智能的产品制造网络。工业4.0背景下的智能注塑发展趋势，多品种小批量快周期的定制化生产；多种生产技术和工艺的高度集成化；少人或无人状态下的自主生产过程；从原料到成品整个过程的信息化管理……

The interconnected in the industrial 4.0--CPS (cyber physical systems) is not a simple alternative to the Internet, the Internet of things, and the sensing network. It is a deep integration of the information and the physical.

The future extrusion equipment is no longer an isolated automation and information island. The future extruder factory will form a flexible and intelligent product manufacturing network through the cloud platform and the whole supply and demand system. In the industrial 4.0 background, the development trend of intelligent extrusion, customized production of multi variety and small batch fast cycle; High integration of various production techniques and processes; autonomous production process under less people or unmanned state; information management from the whole process of raw material to finished product...

在朝着工业4.0发展的过程中，我们的设备更智能化了！金纬机械智能化生产线：

- 1.可以监测主机电流。
- 2.可以监测主机温度。
- 3.可以监测主机电能。
- 4.可以监测主机每吨物料能耗（目前仅支持有米重控制的设备）。
- 5.可以在手机上查看数据信息。
- 6.可以记录并统计设备故障，部件更换等信息。
- 7.可以连接MES系统。
- 8.可以远程调试程序。

In the process of industrial 4.0, our equipment is more intelligent! Intelligent production line of Jwell:

1. can monitor the current of the extruder.
2. can monitor the temperature of the extruder.
3. can monitor the power of the extruder.
- 4., the energy consumption per ton of material can be monitored. (At present, only equipment with rice weight control is supported)
5. you can view the data on the phone.
6. records and statistics of equipment failure, parts replacement and other information can be recorded and counted.
7. can connect the MES system.
8. the program can be debugged remotely.



实时工况
Real-time operating status



作业情况统计
Working status statistics

Plastic Machinery Fully Integrated Automation + Internet Of Things Control System Solutions

基于MES系统平台，实现车间生产管理的信息沟通平台，并向智能化方向发展。

Based on the MES system platform, the information communication platform of workshop production management is realized and move toward the intelligent direction



企业风采: 品质管理 技术研发 国际交流 客户服务 员工培训

Quality Control Technology Research International Communication Customer Service Staff Training



| | | | |
|------------------------------------|--|-------------------------|-----------------------------------|
| <p>24小时服务 24 Hours Service</p> | <p>86-512 53377158 客户服务热线 Customer Service Hotline</p> | <p>培 训 Training</p> | <p>交钥匙工程 Turn-Key Project</p> |
|------------------------------------|--|-------------------------|-----------------------------------|